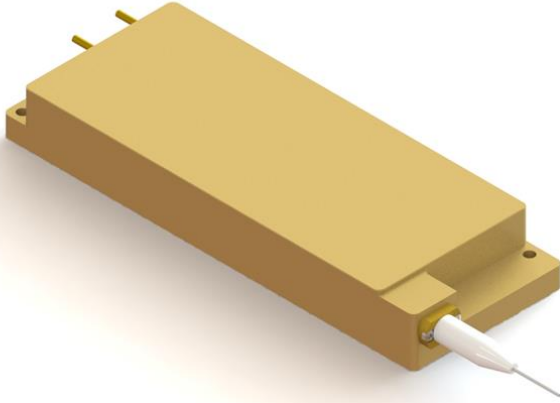


915nm 300W High Power Fiber Coupled Diode Laser K915-A0-300.0W-20022-S



Features:

- ◆ 915nm wavelength
- ◆ 300W output power
- ◆ 200 μ m fiber core diameter
- ◆ 0.22N.A.
- ◆ 1020nm-1200nm feedback protection

Applications:

- ◆ Fiber laser pumping

BWT Beijing's High Power Diode Laser Modules are manufactured by adopting specialized fiber-coupling techniques, resulting in volume products with a high efficiency, stability and superior beam quality. The products are achieved by transforming the asymmetric radiation from the laser diode chip into an output fiber with small core diameter by using special micro optics. Inspecting and burn-in procedures in every aspect come to a result to guarantee each product with the reliability, stability and long lifetime.

Our research staffs are constantly improving and innovating the processing technology in the producing process, based on the professional knowledge and experience accumulated in long-terms. We are also continuously developing new products to meet customers' specific needs.

At BWT Beijing, to provide high quality products with reasonable price is our always goal.

915nm 300W High Power Fiber Coupled Diode Laser K915-A0-300.0W-20022-S

Specifications(25°C)		Symbol	Unit	K915-A0-300.0W-20022-S		
				Minimum	Typical	Maximum
Optical Data ⁽¹⁾	CW Output Power (in fiber)	P_o	W	-	300	-
	CW Output Power (as measured)	P_o	W	290	300	-
	Center Wavelength	λ_c	nm	905	915	925
	Spectral Width (FWHM)	$\Delta\lambda$	nm	-	5	-
	Wavelength Shift with Temperature	$\Delta\lambda/\Delta T$	nm/°C	-	0.3	-
	Light within 0.17NA	-	%	90	-	-
Electrical Data	Operating Current	I_{op}	A	-	19	20
	Threshold Current	I_{th}	A	-	1	-
	Electrical-to-Optical Efficiency	η	%	-	50	-
	Slope Efficiency	η_D	W/A	-	17	-
	Operating Voltage	V_{op}	V	-	32	34
Fiber Data	Core diameter	D_{core}	μm	-	200	-
	Cladding diameter	D_{clad}	μm	-	220	-
	Numerical Aperture	N.A.	-	-	0.22	-
	Total Fiber Length	-	m	-	2.0	-
	Fiber Loose Tubing Diameter	-	μm	-	900	-
	Bending Radius	-	mm	88	-	-
	Connector	-	-	-	FC	-
Feedback Isolation	Wavelength Range	λ	nm	1020	-	1200
	Isolation	-	dB	-	30	-
Others	Operating Case Temp.	T_{op}	°C	15	-	35
	Storage Temp. (Non-operating)	T_{st}	°C	-20	-	+70
	ESD	-	V	-	-	500
	Lead Soldering Temp.	-	°C	-	-	260
	Lead Soldering Time	-	sec	-	-	10
	Relative Humidity	-	%	15	-	75

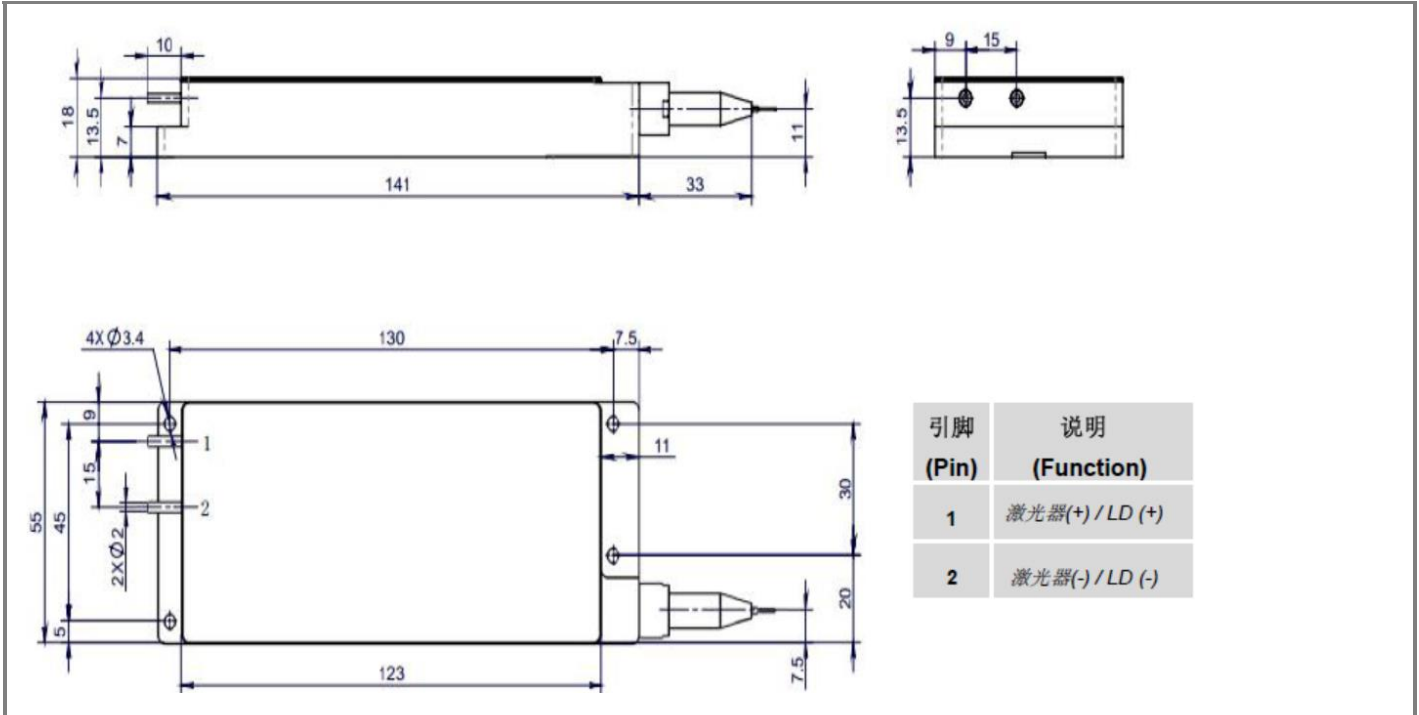
(1) Data measured under LD base plate heat balance with 25°C.

(2) A non-condensing environment is required for operation and storage.

(3) Operating temperature defined by the package case. Acceptable operating range is 15°C~35°C, but performance may vary.

Package Dimensions (Unit: mm)

915nm 300W High Power Fiber Coupled Diode Laser K915-A0-300.0W-20022-S



OPERATING NOTES

- ◆ Avoid eye and skin exposure to direct radiation during operation.
- ◆ ESD precautions must be taken during storage, transportation and operation.
- ◆ Please connect pins to wires by solder instead of using socket when operation current is higher than 6A. Soldering point should be close to the root of the pins. Soldering temperature should be lower than 260°C and time shorter than 10 second.
- ◆ Make sure the fiber output end is properly cleaned before operation of laser. Follow safety protocols to avoid injury when handling and cutting the fiber.
- ◆ Use constant current power supply to avoid surge current during operation.
- ◆ Laser diode must be used according to the specifications.
- ◆ Laser diode must work with good cooling.
- ◆ Operation temperature ranges from 15°C to 35°C .
- ◆ Storage temperature ranges from -20°C to +70°C .



Information and specifications contained herein are deemed to be reliable and accurate. BWT Beijing reserves the right to change, alter or modify the design and specifications of these products at any time without notice.20-3