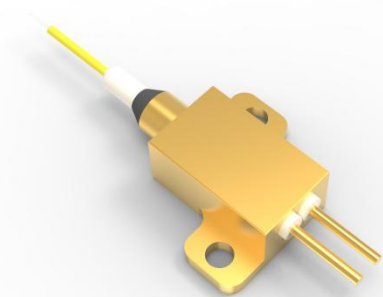


## 940nm 10W 105um Fiber Coupled Diode Laser K940EB3HN-10.00W



### Features:

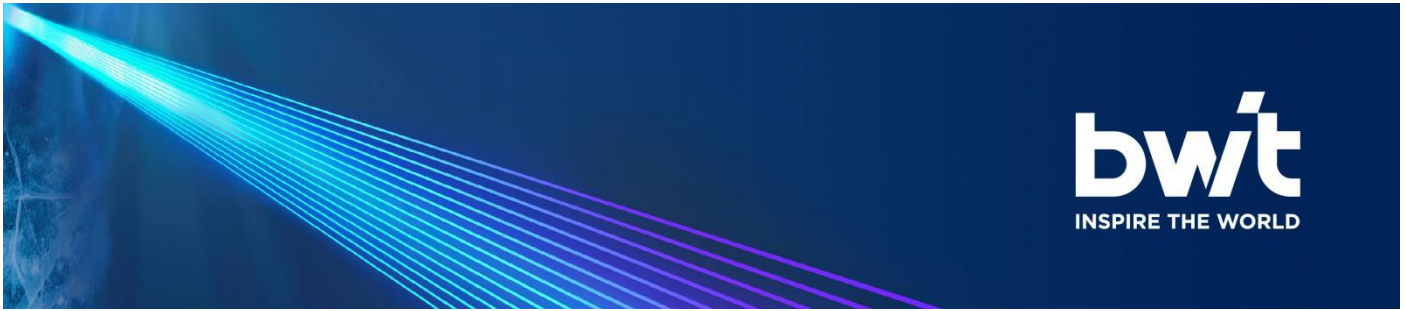
- ◆ 940nm wavelength
- ◆ 10W output power
- ◆ 105 $\mu$ m fiber core diameter
- ◆ 0.22 NA
- ◆ 1400nm~1600nm feedback protection

### Applications:

- ◆ Laser pumping
- ◆ CATV
- ◆ Lidar

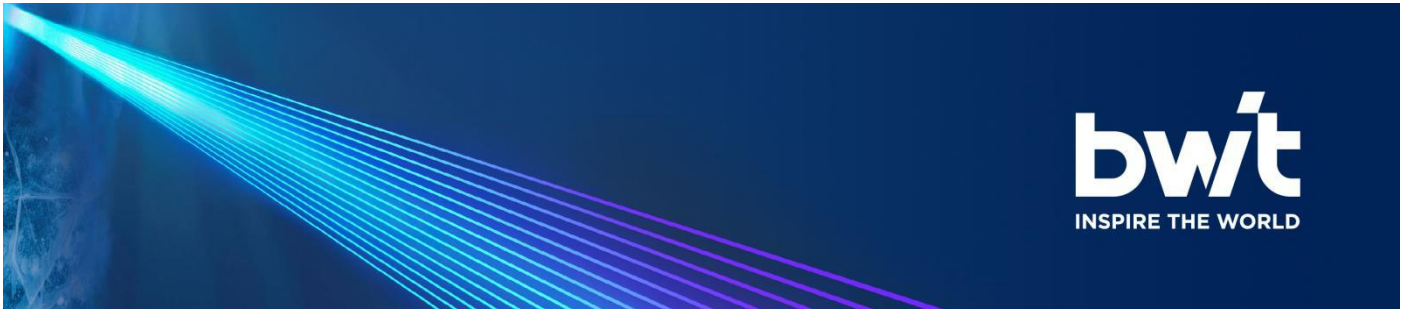
BWT, founded in 2003, is committed to the mission of "let the dream drive the light", the vision of becoming the "Global leader in laser solutions", and the value of "Outstanding innovation", providing diode laser, fiber laser, ultra-fast laser products and solutions to global customers.

The company pursues continuous innovation and insists on autonomous and controllable advanced process and technology. With Beijing headquarters as the core, BWT has successively established production and R&D centers in Jiangsu, and Shenzhen, and invested in the construction of an intelligent and digital production base in Tianjin. To build a high level of technical strength and product quality, BWT set up a German subsidiary in 2020, and taking a solid step for the internationalization of R&D, production and technological innovation.



## 940nm 10W 105um Fiber Coupled Diode Laser K940EB3HN-10.00W

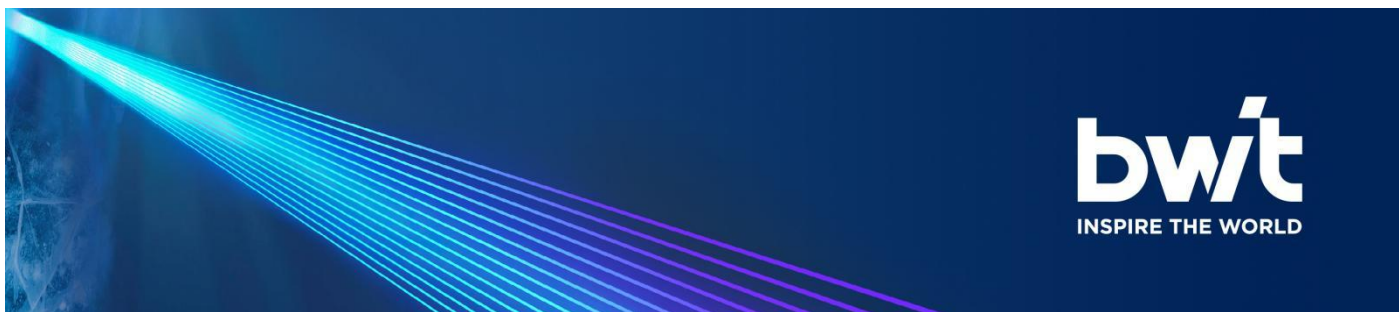
Specifications ( 25°C )		Symbol	Unit	K940EB3HN-10.00W			Note
				Minimum	Typical	Maximum	
Optical Data <sup>(1)</sup>	CW Output Power	P <sub>O</sub>	W	10	-	-	@12A
	CW Output Power@105°C	P <sub>O3</sub>	W	2.7	-	-	@6A
	Center Wavelength	λ <sub>c</sub>	nm	940±5			
	Spectral Width(FWHM)	Δλ	nm	-	3	-	
	Wavelength Shift with Temperature	Δλ/ΔT	nm/°C	-	0.3	-	
	Wavelength Shift with Current	Δλ/ΔA	nm/A	-	1	-	
	P <sub>0.15</sub> /P <sub>0.22</sub>	NA	%	-	85	-	
Electrical Data	Electrical-to-Optical Efficiency	PE	%	-	52	-	
	Threshold Current	I <sub>th</sub>	A	-	1.0	-	
	Operating Current	I <sub>op</sub>	A	-	12	13	
	Operating Voltage	V <sub>op</sub>	V	-	1.6	1.8	
	Slope Efficiency	η	W/A	-	0.9	-	
Fiber Data	Core Diameter	D <sub>core</sub>	μm	-	105	-	
	Cladding Diameter	D <sub>clad</sub>	μm	-	125	-	
	Coating Diameter	D <sub>buf</sub>	μm	-	250	-	
	Numeric Aperture	NA	-	-	0.22	-	
	Fiber Length	L <sub>f</sub>	m	-	0.8	-	
	Fiber	-	-	SI 105/125-22/250			
	Fiber Loose Tubing Diameter	-	mm	-	0.9	-	
	Minimum Bending Radius	-	mm	15	-	-	
	Fiber Termination	-	-	N/A			
Feedback Isolation	Wavelength Range	-	nm	1400~1600			
	Isolation	-	dB	-	30	-	
Others	ESD	V <sub>esd</sub>	V	-	-	500	
	Storage Temperature <sup>(2)</sup>	T <sub>st</sub>	°C	-40	-	110	
	Lead Soldering Temp	T <sub>is</sub>	°C	-	-	260	
	Lead Soldering Time	t	sec	-	-	10	
	Operating Case Temperature <sup>(3)</sup>	T <sub>op</sub>	°C	15	-	35	
	Ultimate Operating Case Temperature <sup>(4)</sup>	T <sub>op</sub>	°C	-40	-	105	I <sub>op</sub> ≤6A;
	Relative Humidity	RH	%	15	-	85	



## 940nm 10W 105um Fiber Coupled Diode Laser **K940EB3HN-10.00W**

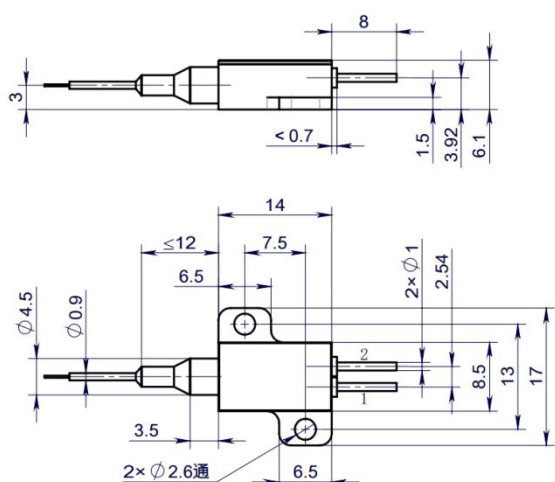
---

- (1) Data measured under operation output at 10W@25°C.
- (2) A non-condensing environment is required for operation and storage.
- (3) Operating temperature defined by the package case.
- (4) Operating temperature has an impact on product performance and reliability.



## 940nm 10W 105um Fiber Coupled Diode Laser K940EB3HN-10.00W

### Package Dimensions (mm)



Pin	Function
1	LD ( + )
2	LD ( - )

### OPERATING NOTES

- ◆ Avoid eye and skin exposure to direct radiation during operation.
- ◆ ESD precautions must be taken during storage, transportation and operation.
- ◆ Short-circuit is required between pins during storage and transportation.
- ◆ Please connect pins to wires by solder instead of using socket when operation current is higher than 6A. Soldering point should be close to the middle of the pins. Soldering temperature should be lower than 260°C and time shorter than 10 second.
- ◆ Make sure the fiber output end is properly cleaned before operation of laser. Follow safety protocols to avoid injury when handling and cutting the fiber.
- ◆ Use constant current power supply to avoid surge current during operation.
- ◆ Laser diode must be used according to the specifications.
- ◆ Laser diode must work with good cooling.
- ◆ Operation temperature ranges from 15°C to 35°C .
- ◆ Storage temperature ranges from -40°C to +110°C.



**Declaration:** information and specifications contained herein are deemed to be reliable and accurate. BWT Beijing reserves the right to change, alter or modify the design and specifications of these products at any time without notice.23-09